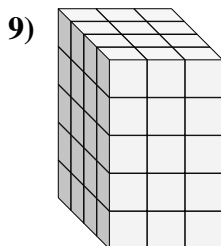
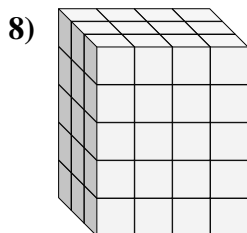
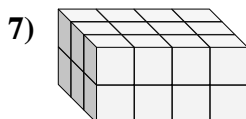
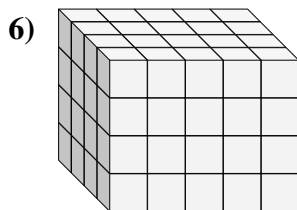
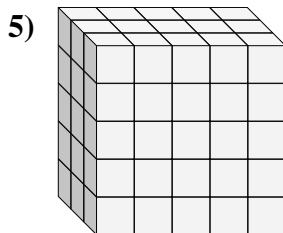
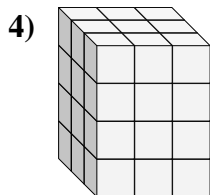
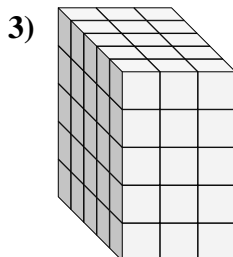
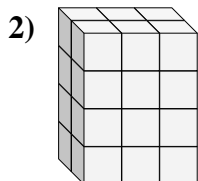
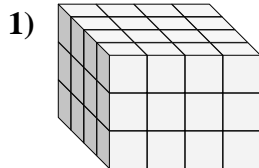
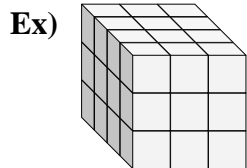




Find the length, width and height of the rectangular prism. Then find the volume.



Answers

D W H V

Ex. 4 3 3 36

1. _____

2. _____

3. _____

4. _____

5. _____

6. _____

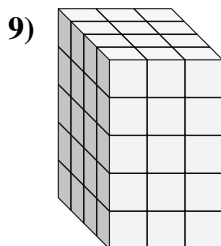
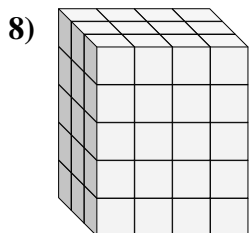
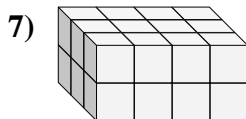
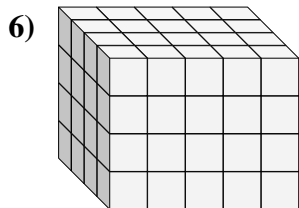
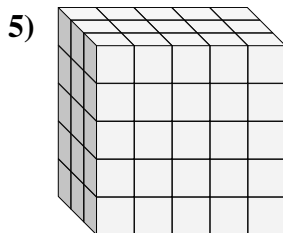
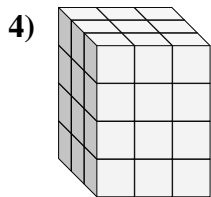
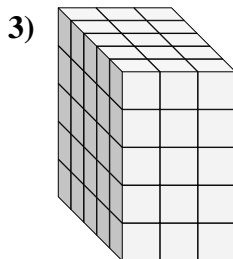
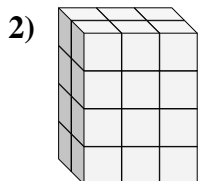
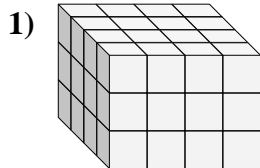
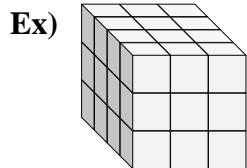
7. _____

8. _____

9. _____



Find the length, width and height of the rectangular prism. Then find the volume.



Answers

D W H V

Ex. 4 3 3 36

1. 4 4 3 48

2. 2 3 4 24

3. 5 3 5 75

4. 3 3 4 36

5. 3 5 5 75

6. 4 5 4 80

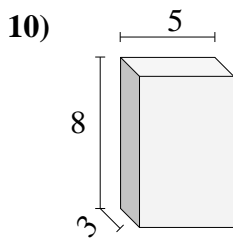
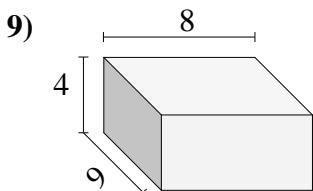
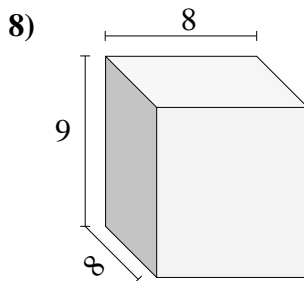
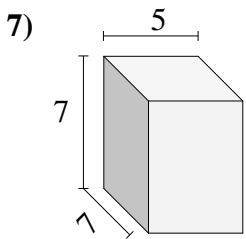
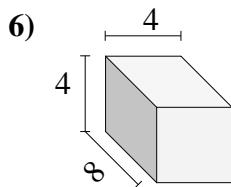
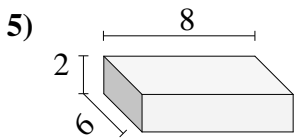
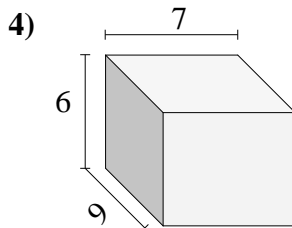
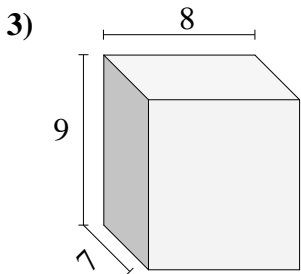
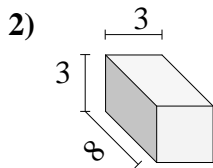
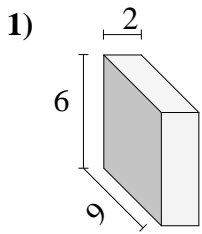
7. 3 4 2 24

8. 3 4 5 60

9. 4 3 5 60



Find the volume of each of the rectangular prisms. Measured in cm (not to scale).

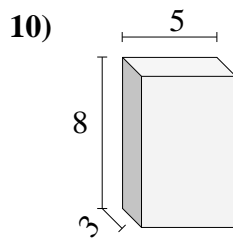
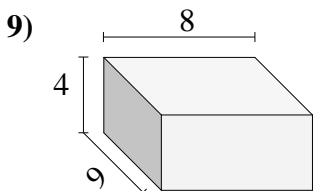
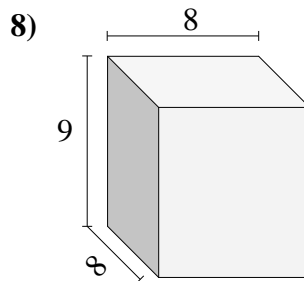
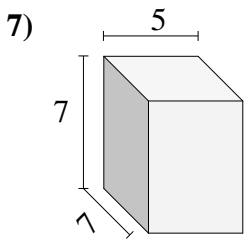
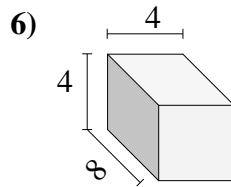
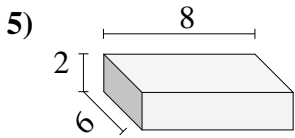
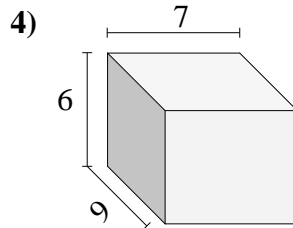
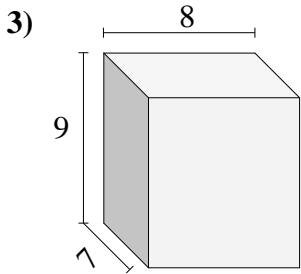
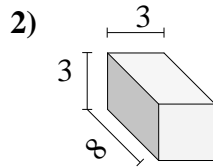
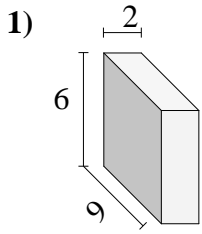


Answers

- 1. _____
- 2. _____
- 3. _____
- 4. _____
- 5. _____
- 6. _____
- 7. _____
- 8. _____
- 9. _____
- 10. _____



Find the volume of each of the rectangular prisms. Measured in cm (not to scale).



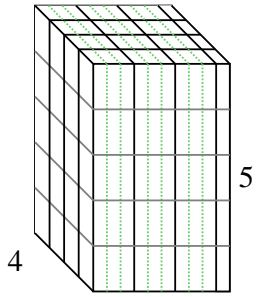
Answers

- 1. 108
- 2. 72
- 3. 504
- 4. 378
- 5. 96
- 6. 128
- 7. 245
- 8. 576
- 9. 288
- 10. 120

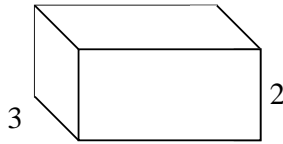


Fill each rectangular prism with cubes to determine the volume. Each prism's unit is measured in cm (not to scale).

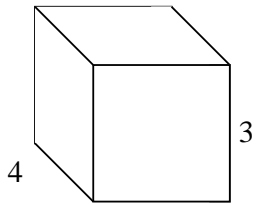
Ex) $3 \frac{1}{3}$



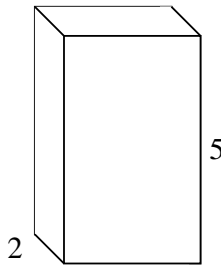
1) $4 \frac{2}{3}$



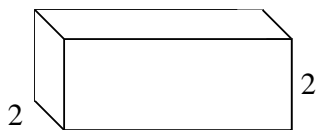
2) $3 \frac{1}{2}$



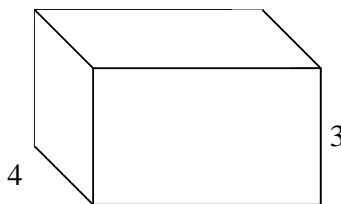
3) $3 \frac{1}{4}$



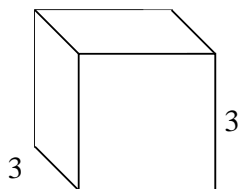
4) $5 \frac{3}{5}$



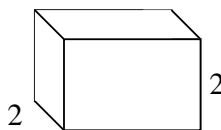
5) $5 \frac{3}{4}$



6) $3 \frac{3}{4}$



7) $3 \frac{3}{4}$



Answers

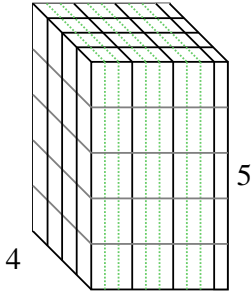
Ex. $66 \frac{2}{3} \text{ cm}^3$

1. _____
2. _____
3. _____
4. _____
5. _____
6. _____
7. _____

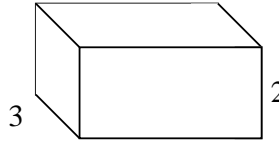


Fill each rectangular prism with cubes to determine the volume. Each prism's unit is measured in cm (not to scale).

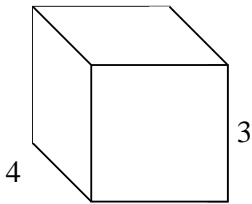
Ex) $3 \frac{1}{3}$



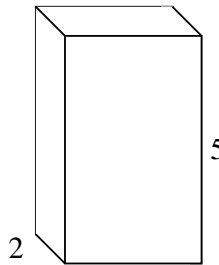
1) $4 \frac{2}{3}$



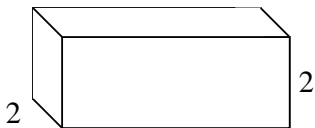
2) $3 \frac{1}{2}$



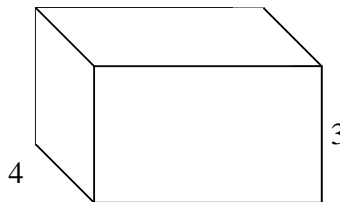
3) $3 \frac{1}{4}$



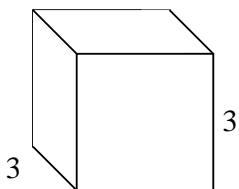
4) $5 \frac{3}{5}$



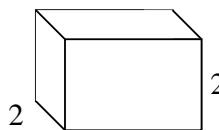
5) $5 \frac{3}{4}$



6) $3 \frac{3}{4}$



7) $3 \frac{3}{4}$

**Answers**

Ex. $66 \frac{2}{3} \text{ cm}^3$

1. 28 cm^3

2. 42 cm^3

3. $32 \frac{2}{4} \text{ cm}^3$

4. $22 \frac{2}{5} \text{ cm}^3$

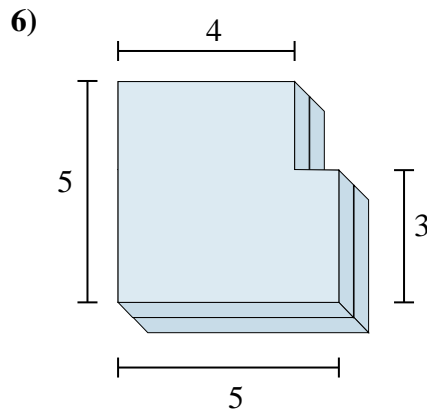
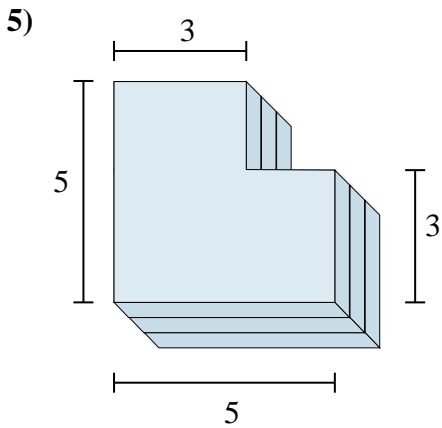
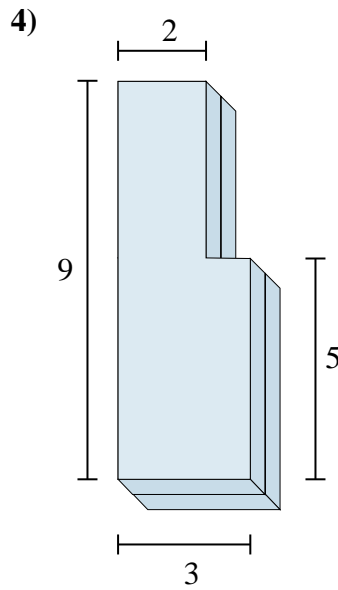
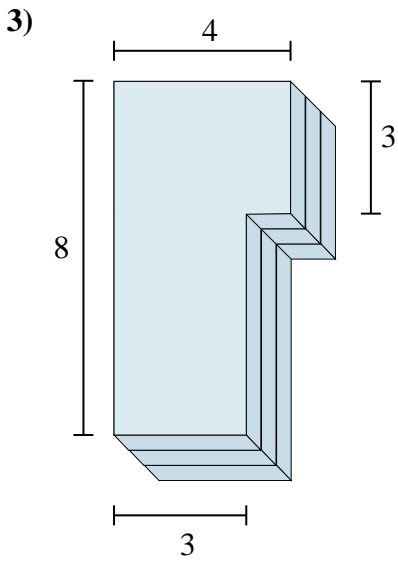
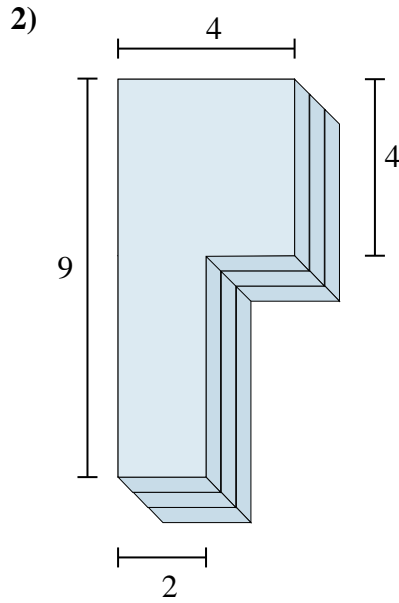
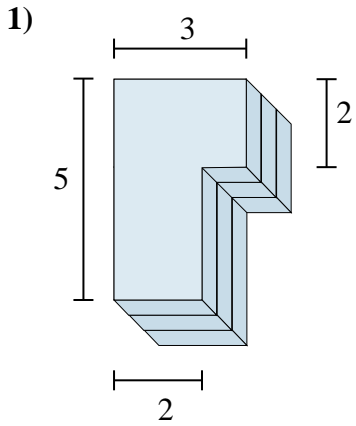
5. 69 cm^3

6. $33 \frac{3}{4} \text{ cm}^3$

7. 15 cm^3



Find the total volume of each figure shown. Measured in cm (not to scale).



Answers

1. _____

2. _____

3. _____

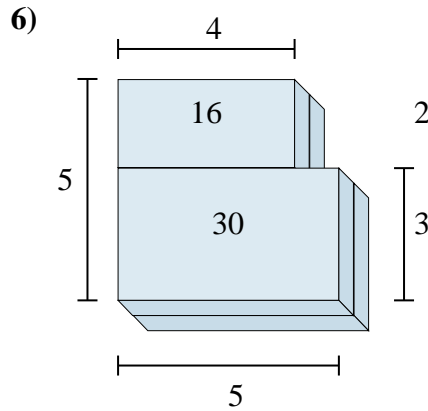
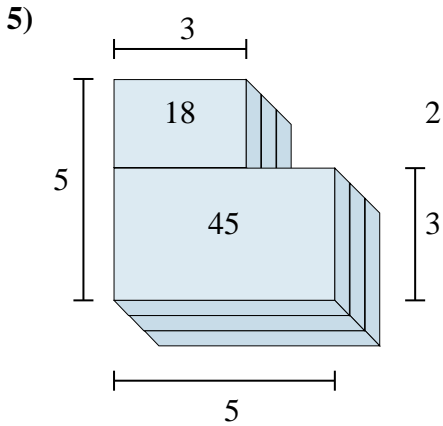
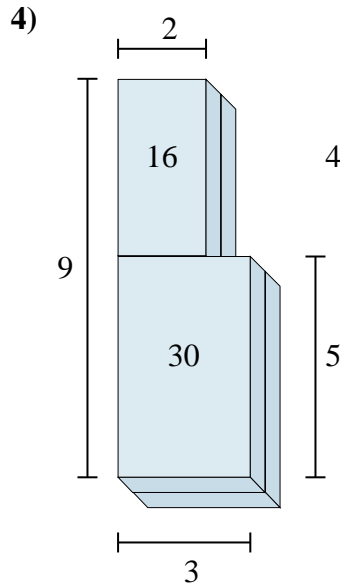
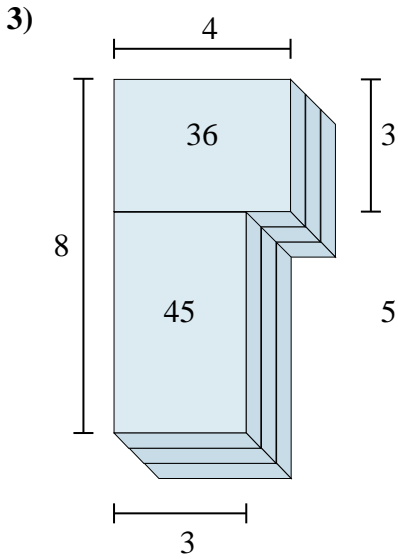
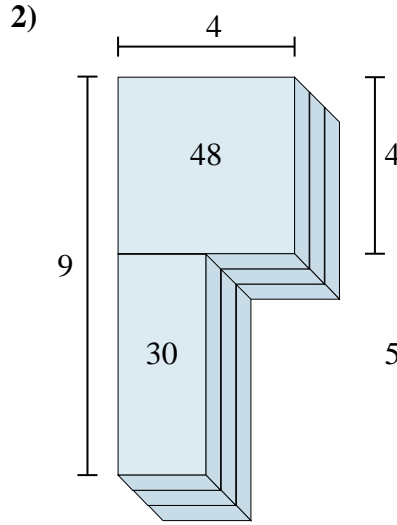
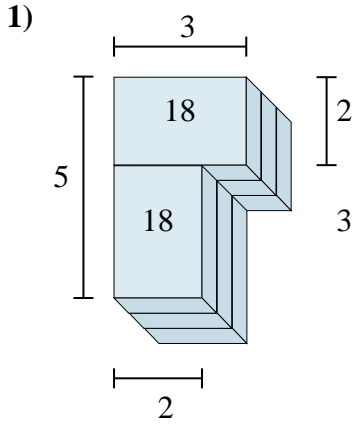
4. _____

5. _____

6. _____



Find the total volume of each figure shown. Measured in cm (not to scale).



Answers

1. 36 cm³

2. 78 cm³

3. 81 cm³

4. 46 cm³

5. 63 cm³

6. 46 cm³